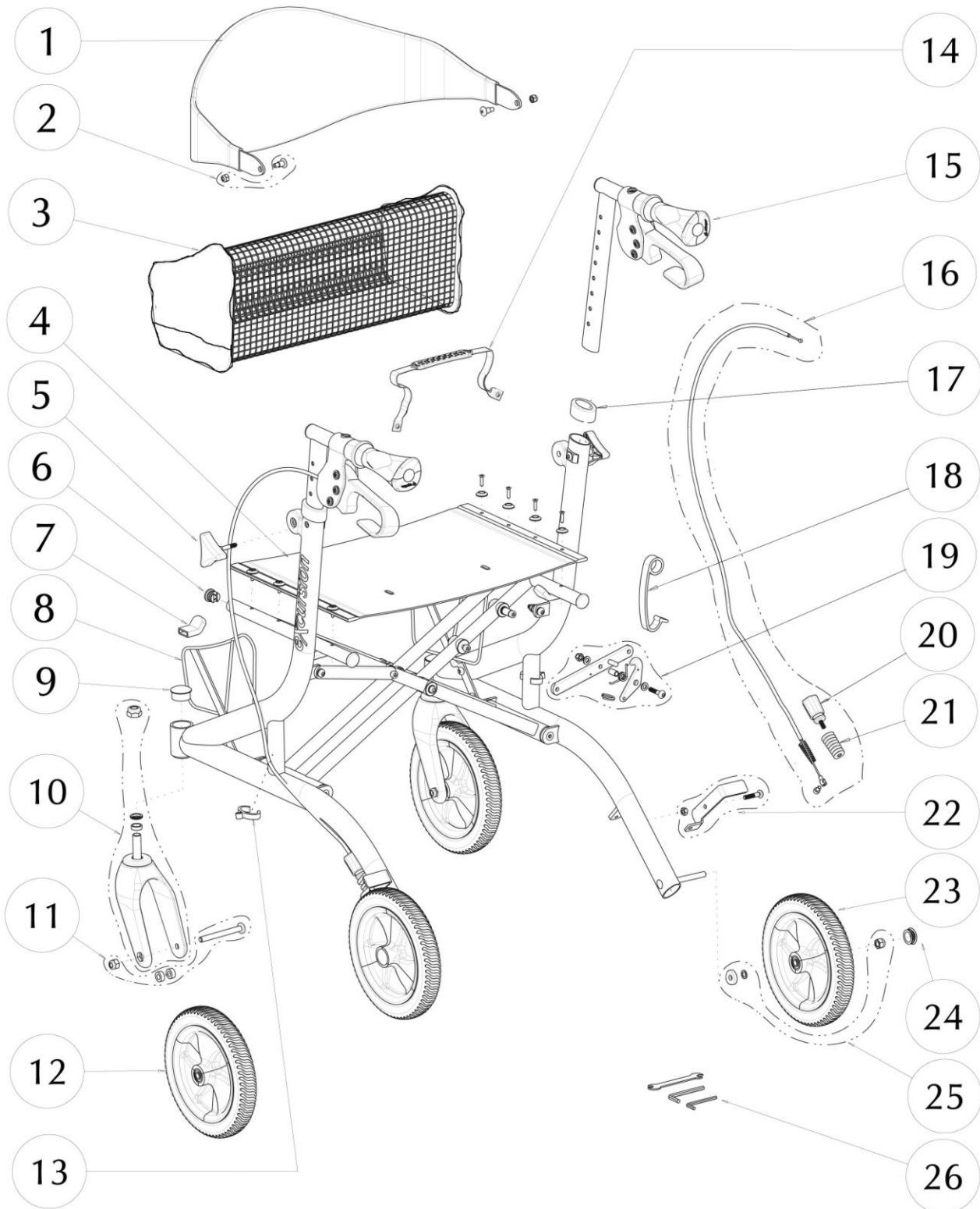


700-927 (CRANBERRY) AIRGO X18 EXCURSION ROLLATOR SIDE-FOLDING, AIRGO HANDLES AND COMFORT-GRIP WHEELS



700-927 (CRANBERRY)
AIRGO X18 EXCURSION ROLLATOR
SIDE-FOLDING, AIRGO HANDLES AND COMFORT-GRIP WHEELS

Item #	AMG Part #	Item Description	Qty Per Unit	Sold by
1.	A01-101	Full Contoured Backrest, Black	1 EA	1 EA
2.	B01-861	Hardware for Backrest (2 Special Bolts M6x16mm & 2 Hex Locknuts)	1 ST	1 ST
3.	A01-622	Soft Basket for X18 Excursion	1 EA	1 EA
4.	B01-281	Nylon Foldable Seat (17.5" x 12") with Hardware (8 screws M4x14mm & 8 Black Plastic Washers)	1 EA	1 EA
5.	A01-416	Triangular Knob, M6x30mm – 2ea / set	1 ST	1 ST
6.	B01-601	Caps for Seat Tubing, Black (2 Front Caps & 2 Rear Caps)	1 ST	1 ST
7.	A01-450	Seat Support Bracket Cover, Black - 2 ea / set	1 ST	1 ST
8.	B01-872	Mounting Brackets with Hardware, X18 Excursion	1 ST	1 ST
9.	A01-455	Cap for Front 34mm Tubing, Black – 2ea / set	1 ST	1 ST
10.	B01-303	Front Fork Subassy,(Black Plastic Fork, 2 Bearings, Fork Cover, Fork Bolt M12x65mm, Aluminum Spacer, Spring-Washer & Locknut M12)	2 EA	1 EA
11.	B01-832	Hardware for 8" Front Wheel (Bolt M8x78.5mm, 2 Aluminum Spacers & Hex Nut M8)	2 ST	1 ST
12.	B01-141	8" Comfort-Plus Front Wheel (PU Tire 8"x1.25" with Full Hub, Bushing & 2 Bearings)	2 EA	1 EA
13.	A01-244	Oval Cable-Clip, Black – 2 ea / set	1 ST	1 ST
14.	A01-286	Seat Strap, Black	1 EA	1 EA
15.	B01-035CR	Airgo Handle Oval Bar with Brake Handle Subassy (2 Handle Oval Bars, 2 Brake Handles with Hardware & 2 Cranberry Airgo Handle Grips)	1 PR	1 PR
16.	B01-181	Brake Cable & Sleeve Assembly (Cable, Sleeve 860mm, Bottom Brake Adjustment, Spring, Spring Sleeve, Cable Stopper with Screw M5x6mm & Fishtail Stopper)	1 PR	1 PR
17.	A01-211	Oval Anti-Rattle, Black Plastic – 2ea / set	1 ST	1 ST
18.	A01-282	Fold Stopper Strap, Orange Plastic	1 EA	1 EA
19.	B01-881H	Open Seat Mechanism (Right Link Bar, Bolt M6x28mm, Alum. Bracket, Spring, Chromed Ring, Brass Sleeve, 2 Grey Plastic Washers & Hex Nut M6)	1 ST	1 ST
20.	B01-185	Bottom Brake Adjustment Assy (Orange Knob, Spring & Orange Adj. Screw)	2 ST	2 ST
21.	A01-419	Spring Sleeve, Black	2 EA	1 EA
22.	B01-159	Bottom Brake Assy, L&R (2 Bolts M6x22mm, Left & Right Brake Pad & 2 Hex Nuts)	1 ST	1 ST
23.	B01-142	8" Comfort-Plus Rear Wheel (PU Tire 8"x1.25" with Full Hub, Bushing & 2 Bearings)	2 EA	1 EA
24.	A01-453	Hub Cap for Rear Wheel	2 EA	1 EA
25.	B01-845	Hardware for Rear Wheel (Locknut M8, Curved Washer & Steel Washer)	2 ST	1 ST
26.	A01-712	Tool Package of 3 (#4mm, #5mm Allen Keys & 8-10mm Wrench)	1 ST	1 ST