



MOVING REHABILITATION FORWARD™

# Alliance™ Safe Patient Handling and Patient Mobility



## CONTENTS

Intro	1
Alliance Stand Aid	2
Control System Options	3
Alliance Stand Assist Patient Lifts	4
Alliance Full Body Patient Lifts	5
Alliance Hydraulic Lift HE	7
Alliance Battery Powered Lift	8
Slings	9
Transfer And Repositioning	15

## INTRODUCTION



Chattanooga is the world's largest manufacturer of rehabilitation equipment for treating musculoskeletal, neurological and soft tissue disorders. For over six decades, Chattanooga has set a benchmark for leadership, reliability and excellence. Our products contribute to better treatment outcomes in hospitals, clinics and home settings worldwide. We lead the rehabilitation industry by example, and through continuous innovation, provide real world solutions for clinicians and their patients.

As the world's leading brand in rehabilitation, Chattanooga is sold in over 80 countries worldwide. Chattanooga distributors and customers are supported by a highly trained and seasoned team of personnel who oversee new product development, product training and education, order placement, product delivery, and after sales service in addition to providing dedicated sales and marketing support.

Chattanooga is a brand of DJO Global Inc. DJO Global provides solutions for musculoskeletal health, vascular health and pain management. Our products help prevent injuries or rehabilitate after surgery, injury or from degenerative disease, enabling patients to regain or maintain their natural motion.



Visit [www.DJOglobal.com/chattanooga](http://www.DJOglobal.com/chattanooga)

AIRCAST

chattanooga

CMFV

Compex

djosurgical

DONJOY

Dr. Comfort

Empi

PRO CARE

# LIFTING CARE AND SAFETY TO NEW HEIGHTS

## Alliance™ Patient Lifts

Chattanooga Alliance Safe Patient Handling and Mobility products provide a value-based solution to improve patient's quality of life by reducing complications of patient immobility and patient falls while reducing costs associated with injuries to caregivers.



## ALLIANCE STAND AID



### ORDERING INFORMATION

#### Part Number Description

#### Alliance Stand Aid

1913 Alliance Stand Aid 450Lb/205Kg Capacity

1914 Alliance Stand Aid 400Lb/180Kg Capacity

#### Optional Accessories

19517 Safety Belt

STA182-LOCK Seat Lock for 1913, 1914

### TECHNICAL SPECIFICATIONS

#### 1913 - Alliance Stand Aid 450Lb/205Kg Capacity

Weight: 67 Lbs (30 Kg)

Carton Dimensions: 37" x 29" x 10" (94 x 74 x 25cm)

#### 1914 - Alliance Stand Aid 400Lb/180Kg Capacity

Weight: 79 Lbs (36 Kg)

Carton Dimensions: 31" x 27" x 9" (79 x 69 x 23cm)

**1913** - 450Lb / 205Kg  
with base opening



**1914** - 400 Lb / 180Kg



### Alliance Stand Aid

The Alliance Stand Aid is a transport assist unit which keeps residents active and engaged in the lifting process. Transport is quick and requires minimal caregiver assistance. Users simply grasp the middle bar and pull themselves up. A padded split seat swings out for loading or unloading then swings back to form a comfortable, secure seat for transport. It is an excellent alternative to a wheelchair for easier commode access. The wider base opening on the 1913 provides easier access around wide chairs or commodes.

#### Optional Safety Belt



#### Optional Seat Lock



## TECHNICAL SPECIFICATIONS

### A Performance Plus with Dual Battery & Wall Mount Charger

Mains Power	120V-240V AC/60 Hz
Standby Consumption	0.08W
Input	120V AC/60Hz
Electrical Safety	Class II, Type B
Safety Test	EN60601-1

### B Performance Electronics

Mains Power	120V-240V AC/60 Hz
Standby Consumption	0.08W
Input	120V AC/60Hz
Electrical Safety	Class II, Type B
Safety Test	EN60601-1

### C Legacy Electronics

Mains Power	100-240V AC, 50/60Hz
Standby Consumption	2 min auto power off
Input	100-240V AC, 50/60Hz, 0.8A
Electrical Safety Class	Internally powered ME equipment
Safety Test	EN60601-1

## ELECTRONIC CONTROL SYSTEMS

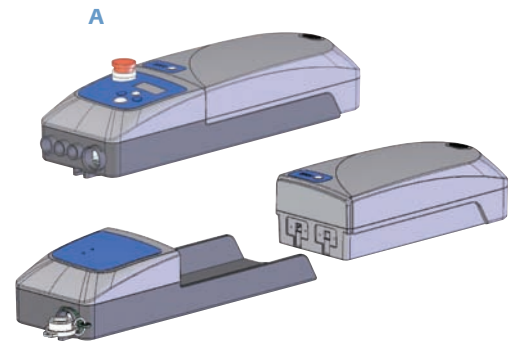


## CONTROL SYSTEM OPTIONS FOR ALLIANCE PATIENT LIFTS

### PERFORMANCE PLUS With Dual Battery & Wall Mount Charger

#### FEATURES

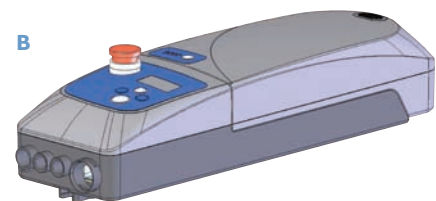
- Includes Alliance Performance control box and electronics and external charging station
- Two battery packs for continuous operation



### PERFORMANCE

#### FEATURES

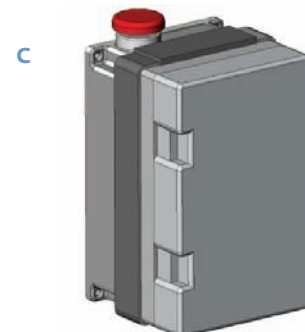
- Detachable battery pack
- LCD display
- Dual independent battery gauge
- Internal charger
- Backup controls on the control box
- Compatible with Alliance Performance or Legacy actuators
- Emergency quick release function



### LEGACY

#### FEATURES

- Compatible with Alliance Legacy products
- User replaceable batteries
- Affordably priced
- Simple easy to read battery gauge



## ALLIANCE STAND-ASSIST PATIENT LIFT



### ORDERING INFORMATION

#### Part Number Description

#### A Alliance Stand Assist 400LB./180KG

1933	Stand Assist Lift, Performance Plus Control System, 400LB / 180KG, Extra Control Box & Battery
1932	Stand Assist Lift, Performance Control System, 400LB / 180KG
1906	Stand Assist Lift, Legacy Electronics 400LB / 180KG

#### B Alliance Stand Assist 500LB/230KG

1930	Stand Assist Lift, Performance Plus Control System, 500LB / 230KG, Extra Control Box & Battery
1929	Stand Assist Lift, Performance Control System, 500LB / 230KG
1931	Stand Assist Lift, Legacy Electronics 500LB / 230KG

#### C Alliance Stand Assist 600LB / 280KG

1928	Stand Assist Lift, Performance Plus Control System, 600LB / 280KG, Extra Control Box & Battery
1927	Stand Assist Lift, Performance Control System, 600LB / 280KG
1907	Stand Assist Lift, Legacy Electronics 600LB / 280KG

### TECHNICAL SPECIFICATIONS

#### 1933 - Stand Assist w/Performance Plus, 400LB / 180KG

Weight	153Lb/69Kg
Shipping Weight	188Lb/85Kg
Carton dimensions	45" x 27" x 14" (114 x 69 x 36cm)

#### 1932 - Stand Assist w/Performance, 400LB / 180KG

Weight	139Lb/63Kg
Shipping Weight	174Lb/79Kg
Carton dimensions	45" x 27" x 14" (114 x 69 x 36cm)

#### 1906 - Stand Assist w/Legacy 400LB / 180KG

Weight	135Lb/61Kg
Shipping Weight	170Lb/77Kg
Carton dimensions	45" x 27" x 14" (114 x 69 x 36cm)

#### 1930 - Stand Assist w/Performance Plus, 500LB / 230KG

Weight	157Lb/71Kg
Shipping Weight	193Lb/87Kg
Carton dimensions	45" x 27" x 14" (114 x 69 x 36cm)

#### 1929 - Stand Assist w/Performance 500LB / 230KG

Weight	143Lb/65Kg
Shipping Weight	179Lb/81Kg
Carton dimensions	45" x 27" x 14" (114 x 69 x 36cm)

#### 1931 - Stand Assist w/Legacy 500LB / 230KG

Weight	143Lb/65Kg
Shipping Weight	179Lb/81Kg
Carton dimensions	45" x 27" x 14" (114 x 69 x 36cm)

#### 1928-Stand Assist w/Performance Plus, 600LB / 280KG

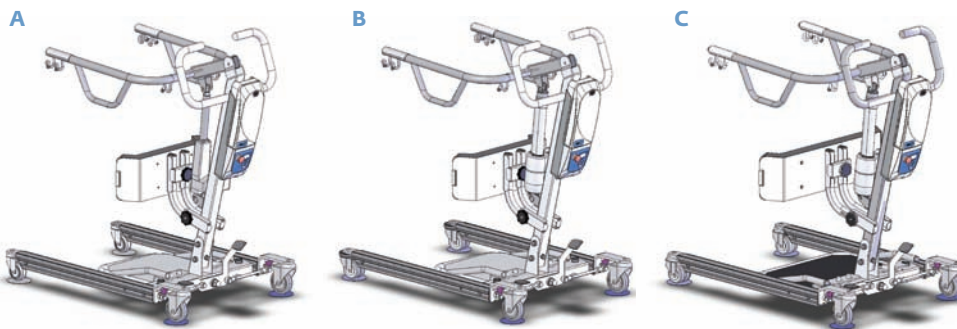
Weight	166Lb/75Kg
Shipping Weight	201Lb/91Kg
Carton dimensions	45" x 27" x 14" (114 x 69 x 36cm)

#### 1927 - Stand Assist w/Performance 500LB / 230KG

Weight	152Lb/69Kg
Shipping Weight	187Lb/85Kg
Carton dimensions	45" x 27" x 14" (114 x 69 x 36cm)

#### 1907 - Stand Assist w/Legacy 500LB / 230KG

Weight	150Lb/68Kg
Shipping Weight	184Lb/84Kg
Carton dimensions	45" x 27" x 14" (114 x 69 x 36cm)



MAXIMUM CAPACITY: 400LB / 180KG

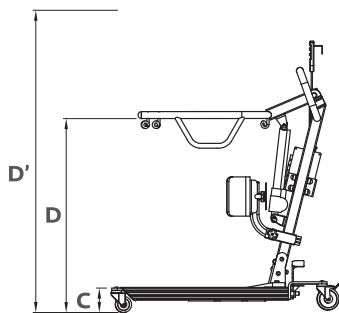
Key Dimensions of #1913, #1932, #1906		
A	Base Legs Length	40" (102cm)
B	External Width	26" (66cm)
B'	Expandable Internal Width	37.8" (96cm)
C	Base Height	4.7" (12cm)
D	Min. Lifting Height	35" (89cm)
D'	Max. Lifting Height	69" (175cm)
E	Internal Width	19" (48cm)

MAXIMUM CAPACITY: 500LB/230/KG

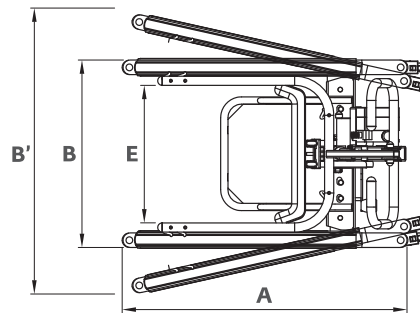
Key Dimensions of #1930, #1929, #1931		
A	Base Legs Length	40" (102cm)
B	External Width	25.6" (65cm)
B'	Expandable Internal Width	38" (97cm)
C	Base Height	4.5" (11cm)
D	Min. Lifting Height	33" (84cm)
D'	Max. Lifting Height	68" (173cm)
E	Internal Width	19" (48cm)

MAXIMUM CAPACITY: 600LB/280KG

Key Dimensions of #1927, #1928, #1907		
A	Base Legs Length	40" (102cm)
B	External Width	26" (66cm)
B'	Expandable Internal Width	38" (97cm)
C	Base Height	4.7" (12cm)
D	Min. Lifting Height	35" (89cm)
D'	Max. Lifting Height	70" (178cm)
E	Internal Width	19" (48cm)



Side View



Top View

### FEATURES

#### A Stand Assist Patient Lift 400Lb / 180Kg

The U-shaped boom with 6 point sling attachment will meet the specific needs of the patient with maximum comfort. The Chattanooga Alliance 400Lb Stand Assist lift has padded comfort single piece adjustable kneepad, and a removable footplate.

#### B Stand Assist Patient Lift 500Lb / 230Kg

This Alliance 500Lb patient lift has higher weight capacity than the Stand Assist 400Lb lift. With 3" dual front casters, it ensures smoother maneuverability and easy transfers. Our performance class actuator also includes an emergency quick release function.

#### C Stand Assist Patient Lift 600Lb / 280Kg

The Alliance 600Lb Stand Assist lift has extra wide adjustable kneepads that will help meet the needs of a wider range of patients. To support the extra weight, the Stand Assist 600Lb lift has a heavy duty boom to help lift and support the patient for smoother and safer transfer.

See Page 3 for Electronic Options

**ORDERING INFORMATION**

**Part Number Description**

**A Full Body Patient Lift 400Lb/180Kg**

1926 Full Body Lift, Performance Plus Control System, 400Lb/180Kg, Extra Control Box & Battery

1925 Full Body Lift, Performance Control System, 400Lb/180Kg

1902 Full Body Lift, Legacy Electronics 400Lb/180Kg

**B Full Body Patient Lift 500Lb/230Kg**

1923 Full Body Lift, Performance Plus Control System, 500Lb/230Kg, Extra Control Box & Battery

1922 Full Body Lift, Performance Control System, 500Lb/230Kg

1924 Full Body Lift, Legacy Electronics 500Lb/230Kg

**TECHNICAL SPECIFICATIONS**

**1926 - Full Body Lift, w/Performance Plus, 400Lb/180Kg**

Weight: 139Lb/63Kg  
 Shipping Weight: 175Lb/79Kg  
 Carton Dimensions: 49" x 28" x 13" (124 x 71 x 33cm)

**1925 - Full Body Lift, w/Performance, 400Lb/180Kg**

Weight: 125Lb/57Kg  
 Shipping Weight: 161Lb/73Kg  
 Carton Dimensions: 49" x 28" x 13" (124 x 71 x 33cm)

**1902 - Full Body Lift w/Legacy 400Lb/180Kg**

Weight: 120Lb/54Kg  
 Shipping Weight: 155Lb/70Kg  
 Carton Dimensions: 49" x 28" x 13" (124 x 71 x 33cm)

**1923 - Full Body Lift, Performance Plus, 500Lb/230Kg**

Weight: 140Lb/63Kg  
 Shipping Weight: 179Lb/79Kg  
 Carton Dimensions: 51" x 28" x 12" (130 x 71 x 30cm)

**1922 - Full Body Lift, w/Performance, 500Lb/230Kg**

Weight: 126Lb/57Kg  
 Shipping Weight: 161Lb/73Kg  
 Carton Dimensions: 51" x 28" x 12" (130 x 71 x 30cm)

**1924 - Full Body Lift, Legacy Electronics 500Lb/230Kg**

Weight: 126Lb/57Kg  
 Shipping Weight: 161Lb/73Kg  
 Carton Dimensions: 51" x 28" x 12" (130 x 71 x 30cm)

**ALLIANCE FULL BODY PATIENT LIFT**

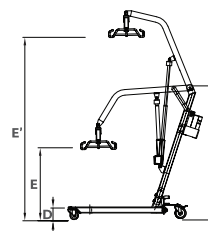


**A**

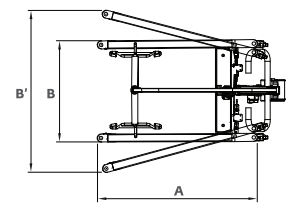


MAXIMUM CAPACITY: 400LB / 180KG

Key Dimensions of #1926, #1925, #1902		
A	Base Legs Length	50" (127cm)
B	Base Closed External Width	27" (69cm)
B'	Base Open External Width	42" (107cm)
C	Mast Height	50" (127cm)
D	Base Height	4.7" (12cm)
E	Min. Lifting Height (tolerance 2%)	28" (71cm)
E'	Max. Lifting Height	68" (173cm)



Side View



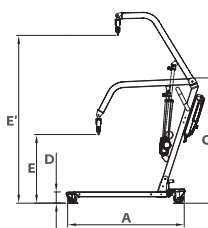
Top View

**B**

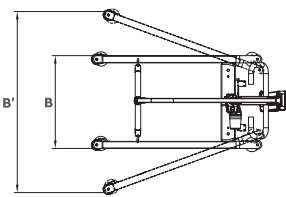


MAXIMUM CAPACITY: 500LB / 230KG

Key Dimensions of #1923, #1922, #1924		
A	Base Legs Length	47" (119cm)
B	Base Closed External Width	26" (66cm)
B'	Base Open External Width	41" (104cm)
C	Mast Height	50" (127cm)
D	Base Height	4.5" (11.4cm)
E	Min. Lifting Height	24" (61cm)
E'	Max. Lifting Height	73" (185cm)



Side View



Top View

**FEATURES**

**A Alliance Full Body Patient Lift 400Lb/180Kg**

Maximum patient safety and comfort are built into this highly maneuverable workhorse. The Alliance 400Lb/180Kg lift is simple to operate with a unique emergency lowering mechanism. The lift is equipped with a six-point spreader bar to distribute weight evenly as well as provide for simple sling application.

**B Alliance Full Body Patient Lift 500Lb / 230Kg**

The Alliance Full Body Lift, with its 4.5" (11cm) base height, allows access under shorter beds more so than patient lifts were ever able to before. Reducing the distance between bed and patient lift for simpler, safer transfers is achieved. The two point spreader bar distributes the weight evenly, which make transfers smooth and effortless. By adapting to the changing needs in facilities. Alliance will continue to provide maximum safety and dependability.

*See Page 3 for Electronic Options*

## ALLIANCE FULL BODY PATIENT LIFT



### ORDERING INFORMATION

#### Part Number Description

#### C Full Body Patient Lift 600Lb/280Kg

1921	Full Body Lift, Performance Control System, 600Lb/230Kg, Extra Control Box & Battery
1920	Full Body Lift, Performance Control System, 600Lb/230Kg
1904	Full Body Lift, Legacy Electronics, 600Lb/230Kg

### TECHNICAL SPECIFICATIONS

#### 1921 - Full Body Lift, Performance Plus, 600Lb/230Kg

Weight:	182Lb/82Kg
Shipping Weight:	217Lb/98Kg
Carton Dimensions:	53" x 28" x 14" (135 x 71 x 36cm)

#### 1920 - Full Body Lift, Performance 600Lb/230Kg

Weight:	168Lb/76Kg
Shipping Weight:	203Lb/92Kg
Carton Dimensions:	53" x 28" x 14" (135 x 71 x 36cm)

#### 1904 - Full Body Lift, Legacy 600Lb/230Kg

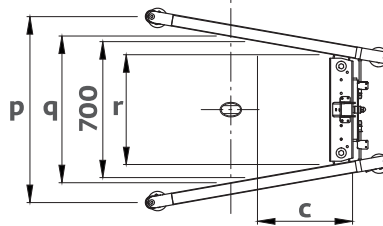
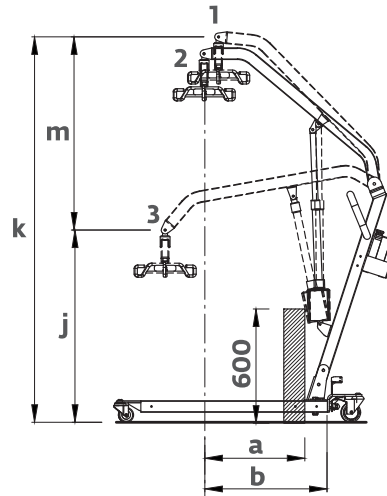
Weight:	163Lb/74Kg
Shipping Weight:	198Lb/90Kg
Carton Dimensions:	53" x 28" x 14" (135 x 71 x 36cm)



MAXIMUM CAPACITY: 600LB/280KG

Key Dimensions of #1921, #1920, #1904

Dimension	Description	Value
1	Spreader Bar Highest Position	40" (102cm)
2	Spreader Bar Maximum Reach Position	26" (66cm)
a	Spreader Bar Lowest Reach Position	38" (97cm)
b	Maximum Reach at 600mm (Reference Height)	4.7" (12cm)
c	Maximum Reach from Base	35" (89cm)
k	Reach from Base with Legs spread to 770mm	70" (178cm)
l	Maximum Height of CSP	19" (48cm)
p	Minimum Height of CSP	19" (48cm)
m	Maximum Internal Width	19" (48cm)
q	Internal Width at Maximum Reach	19" (48cm)
r	Internal Width at Minimum Reach	19" (48cm)



### FEATURES

#### C Alliance Full Body Patient Lift 600Lb / 280Kg

Designed to provide the perfect combination of patient safety, weight capacity and maneuverability. This lift is manufactured to meet the special needs of the bariatric patient population in hospitals and nursing homes. Caregivers appreciate the ease of operation and patients are reassured by the stability and overall comfort provided.

See Page 3 for Electronic Options

## ORDERING INFORMATION

## Part Number Description

## Alliance Hydraulic Patient Lift HE

1900	Hydraulic Patient Lift HE
1910	Battery Power HE Upgrade Kit (for use with REF: 1900)
19526	Replacement Battery

## Alliance Digital Scale

19550	Alliance Digital Scale
19BRKH	Digital Weight Scale Bracket for 1900 and 1908

## TECHNICAL SPECIFICATIONS

## 1900 - Hydraulic Patient Lift HE

Weight	86Lb/39Kg
Shipping Weight	121Lb/55Kg
Carton Dimensions	45" x 27" x 10" (114 x 69 x 25cm)

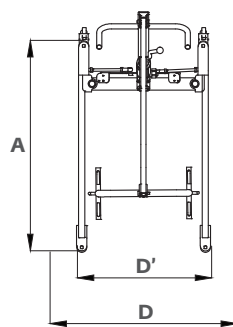
## ALLIANCE HYDRAULIC PATIENT LIFT HE



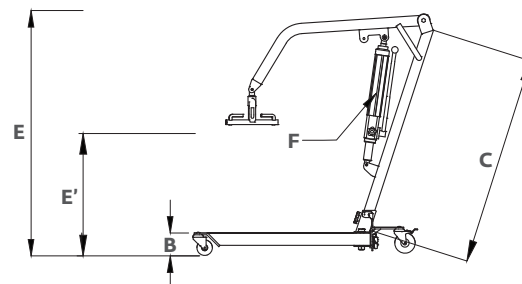
1900 - Hydraulic Patient Lift HE

MAXIMUM CAPACITY: 400LB/180KG

Key Dimensions of #1900, #1908		
A	Base Legs Length	50" (127cm)
B	Base Closed External Width	27" (69cm)
C	Base Open External Width	42" (107cm)
D	Mast Height	50" (127cm)
D'	Base Height	5" (13cm)
E	Minimum Lifting Height (tolerance: 2%)	26" (66cm)
E'	Maximum Lifting Height (tolerance: 2%)	70" (178cm)
F	Hydraulic or Upgrade to Electric	OPTIONAL



Top View



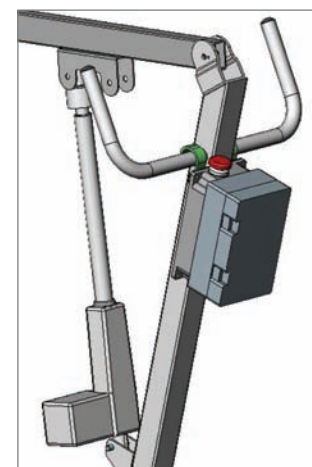
Side View

## FEATURES

The innovative Alliance 1900 and 1908 home care lifts are designed to allow manual or electric use using the same lift. The hydraulic unit may be upgraded to electric anytime with an easy-to-attach electric kit.

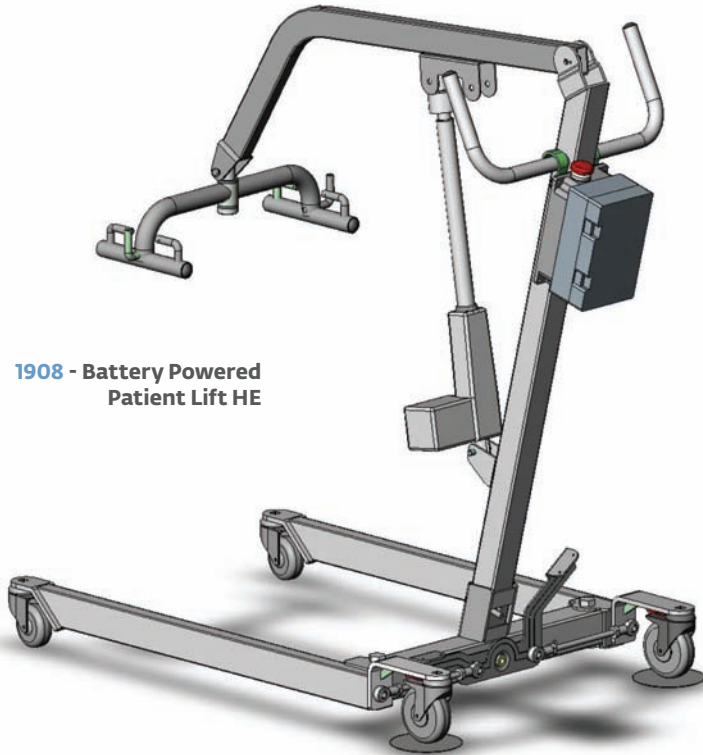
## Alliance Hydraulic Patient Lift HE

- Multi tilt spreader bar for additional stability and comfort
- Lift/Lower emergency backup system
- Interchangeable battery system
- Foot pedal base opening for wheelchair and commode access
- Large easy grip handles
- Low base height for maximum stability
- 400 lb / 180 Kg. safe working load weight



The Alliance Hydraulic Patient Lift HE quickly converts to battery power by adding the #1910 upgrade kit

## ALLIANCE BATTERY POWERED PATIENT LIFT HE



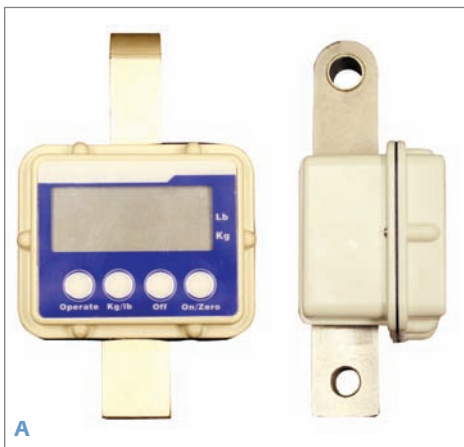
**1908 - Battery Powered Patient Lift HE**

### ORDERING INFORMATION

Part Number	Description
<b>Alliance Battery Powered Patient Lift HE</b>	
1908	Battery Powered Patient Lift HE
19526	Replacement Battery
<b>Alliance Digital Scale</b>	
<b>A 19550</b>	Alliance Digital Scale
<b>B 19BRKH</b>	Bracket to Attach Digital Weight Scale to Hydraulic Lift HE - 1900 & 1908
<b>C 19BRK</b>	Bracket to Attach Digital Weight Scale to 400Lb/180Kg, 500Lb/230Kg, 600Lb/280Kg Full Body Electronic Lifts

### TECHNICAL SPECIFICATIONS

<b>1908 - Battery Powered Patient Lift HE</b>	
Weight	92Lb/42Kg
Shipping Weight	127Lb/58Kg
Carton dimensions	45" x 27" x 10" (114 x 69 x 25cm)
Main Power	100-240V AC, 50/60Hz
Standby Consumption	2 min auto power off
Input	100-240V AC, 50/60Hz, 0.8A
Electrical Safety Class	Internally powered ME equipment
Safety Test	EN60601-1



**Alliance Digital Scale**

Maximum 600 lb (272 kg) calibrated weight capacity.  
Compatible with REF. 1902, and 1904.

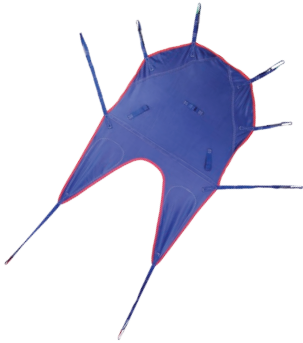


Bracket to Attach Digital Weight Scale to Hydraulic Lift HE - 1900 & 1908



Bracket to Attach Digital Weight Scale to 400Lb/180Kg, 500Lb/230Kg, 600Lb/280Kg Full Body Electronic Lifts

## SLINGS: SIZING AND CARE



### UNIVERSAL SLING

Universal slings or “U” slings allow for easier application than full body slings. The universal sling molds around the body easily, eliminating the need to pull the sling under and risk skin injury or discomfort. Available in mesh or full deluxe padded styles. Six point connectivity increases safety and weight distribution for superior comfort. Also available with full head support.



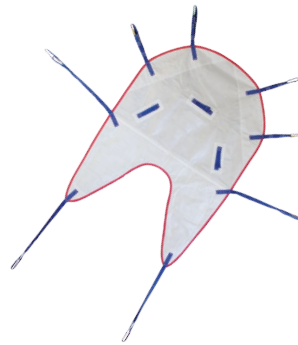
### STANDASSIST

Experience comfortable stand assist slings. Lumbar and underarm pads provide maximum comfort for the patient. For those that require some additional initial lift assistance optional buttock strap attachment is available and a calf strap is also available for stabilization support.



### SANI-SLING

Toileting sling made for maximum functionality and patient dignity. Eliminates need for poorly designed commode opening slings. Easy to apply and use, these slings are well padded under the arms and lumbar region for maximum comfort. Alliance Sani slings also work extremely well on stand assist lifts for patients requiring more lower back support during lifts.

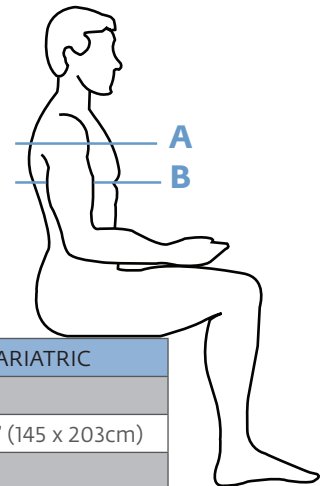


### SINGLE PATIENT SPECIFIC (SPS)

Alliance Single Patient Specific slings are made from a polypropylene non woven layered fabric. Cost effective method of controlling cross contamination and an excellent alternative to laundering costly cloth slings. Each sling has a spot to mark the name of the specific patient and date issued. Latex free and tested at 1.5 times the safe working load.

## CARE & WASHING

Care instructions on the sling label shall have precedence over these instructions should the two be in disagreement. Always follow the care instructions on the sling label. **Never wash a Single Patient Specific (SPS) sling.** For reusable fabric slings, hand or machine wash in a gentle cycle with mild soap solution at a maximum temperature of 49°C / 120°F. Rinse thoroughly and air dry. Do not dry clean and always wash slings separately from other items. **Never use bleach to wash or clean reusable slings as the material may be damaged.**

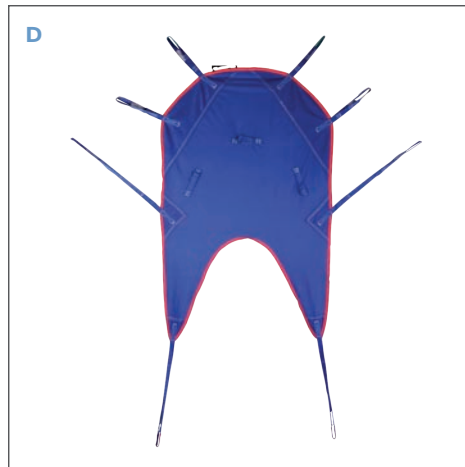
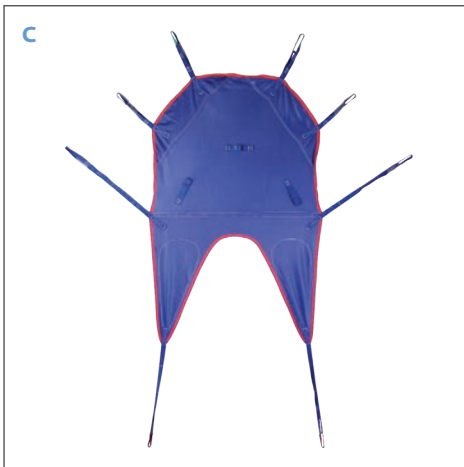
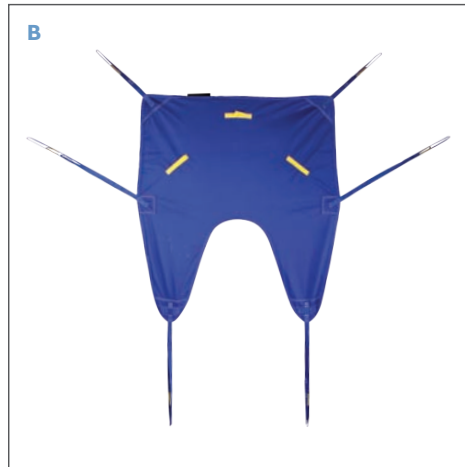
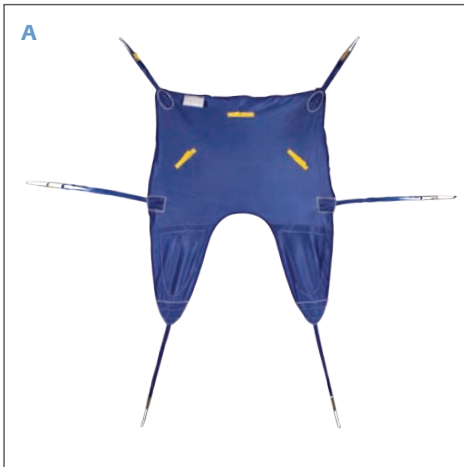


## SIZE & BODY WEIGHT

	SMALL	MEDIUM	LARGE	BARIATRIC
<b>A - DIAMETER AROUND THE SHOULDERS</b>				
Universal Split Leg	28"-45" (71 x 114cm)	37"-57" (94 x 145cm)	47"-67" (119 x 170cm)	57"-80" (145 x 203cm)
<b>B - DIAMETER AROUND THE CHEST</b>				
Pediatric	18"-28" (46 x 71cm)	N/A	N/A	N/A
Sani/Toileting	18"-40" (46 x 71cm)	26"-46" (66 x 117cm)	28"-50" (71 x 127cm)	34"-73" (86 x 185cm)
Sit-To-Stand	26"-42" (66 x 107cm)	30"-46" (76 x 117cm)	34"-53" (86 x 135cm)	46"-64" (117 x 163cm)
<b>BODY WEIGHT</b>				
Universal Split Leg	85-140Lb (39 - 64Kg)	140-200Lb (64 - 91Kg)	200-400Lb (91 - 182Kg)	400-600Lb (182 - 273Kg)
	MEDIUM	LARGE	X-LARGE	XX-LARGE
R-Series	100-195Lb (45 - 87Kg)	150-300Lb (68 - 136Kg)	210-400Lb (83 - 182Kg)	290-600Lb (132 - 273Kg)

\*above dimensions are guidelines and may vary by user

## SLINGS



## ORDERING INFORMATION

## Part Number Description

## Universal Slings

## A Universal Slings Padded Split Leg

19504	Medium, Universal padded 400Lb/180Kg weight capacity (best fit 140-200lbs/64-91Kg)
19505	Large, Universal padded 400Lb/180Kg weight capacity (best fit 200-400Lb/91-180Kg)
19506	Bariatric, Universal padded 600Lb/280Kg weight capacity (best fit 400-600Lb/180-273Kg)

## B Universal Slings Mesh Split Leg

19501	Medium, Universal mesh 400Lb/180Kg weight capacity (best fit 140-200lbs/64-91Kg)
19502	Large, Universal mesh 400Lb/180Kg weight capacity (best fit 200-400Lb/91-180Kg)

## C Deluxe Padded Split Leg with Full Head Support

19596	Small, Universal padded w/full head support 400Lb/180Kg (best fit 85-140lbs/36-64Kg)
19597	Medium, Universal padded w/full head support 400Lb/180Kg (best fit 140-200lbs/64-91Kg)
19598	Large, Universal padded w/full head support 400Lb/180Kg (best fit 200-400Lb/91-180Kg)
19599	XX-Large, Universal padded bariatric w/full head support 600Lb/280Kg

D Universal Slings Mesh Split Leg  
with Full Head Support

19595	Small, Universal mesh with head support 400Lb/180Kg weight capacity (best fit 85-140lbs/36-64Kg)
19600	Medium, Universal mesh with head support 400Lb/180Kg weight capacity (best fit 140-200lbs/64-91Kg)
19601	Large, Universal mesh with head support 400Lb/180Kg weight capacity (best fit 200-400Lb/91-180Kg)

## ORDERING INFORMATION

## Part Number Description

## Universal Slings

**A Invacare® Compatible Slings Solid Padded Fabric Full Body**

19112 Medium, Solid fabric full body  
450lb weight capacity  
(best fit 100-195lbs /68-136Kg)

19113 Large, Solid fabric full body  
450lb weight capacity  
(best fit 150-300lbs /95-182Kg)

19117 X-Large, Solid fabric full body  
450lb weight capacity  
(best fit 210-400Lb/180Kgs /83-180Kg)

**B Invacare® Compatible Slings Mesh Full Body**

19110 Medium, Mesh full body 450lb weight  
capacity (best fit 100-195lbs /68-136Kg)

19111 Large, Mesh full body 450lb weight  
capacity (best fit 150-300lbs /95-182Kg)

19140 XX-Large Bariatric, Mesh full body  
600Lb/280Kg weight capacity  
(best fit 290Lb-600Lb/132-273Kg)

**C Invacare® Compatible Slings Mesh Full Body with Commode Opening**

19114 Medium, Mesh full body  
450Lb with commode opening  
(best fit 100-195Lbs /68-136Kg)

19115 Large, Mesh full body  
450Lb with commode opening  
(best fit 150-300Lbs /95-182Kg)

19116 X-Large, Mesh full body  
450Lb with commode opening  
(best fit 210-400Lb//83-180Kg)

19141 XX-Large Bariatric, Mesh full body  
600Lb/280Kg with commode opening  
(best fit 290Lb-600Lb/130Kg-280Kg)

**D Guldmann® / Liko® Compatible Slings BASIC**

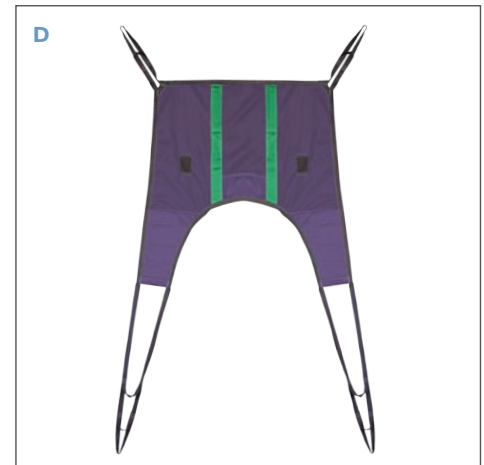
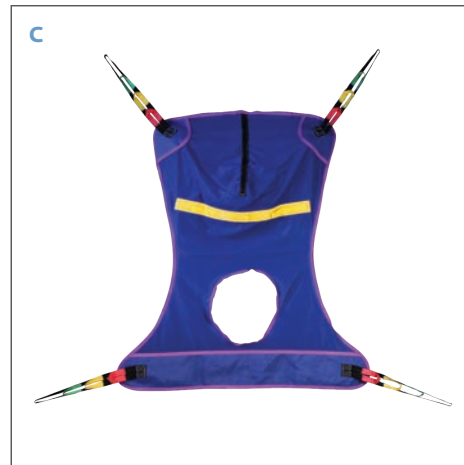
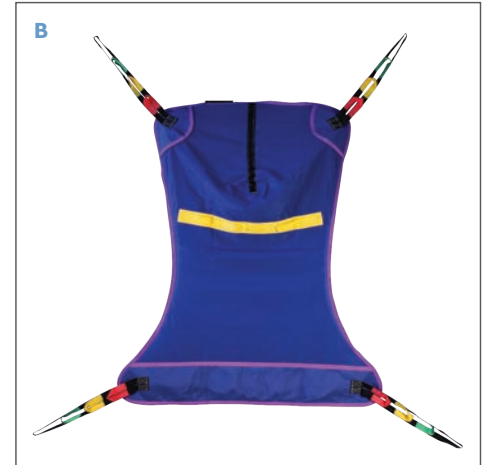
19602 Small, Guldmann/Liko Compatible  
BASIC, 600Lb/280Kg

19603 Medium, Guldmann/Liko Compatible  
BASIC, 600Lb/280Kg

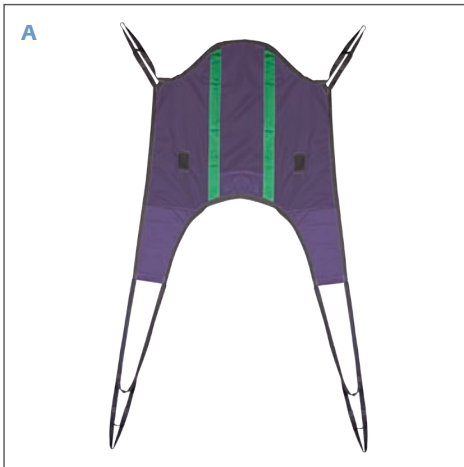
19604 Large, Guldmann/Liko Compatible  
BASIC, 600Lb/280Kg

19605 X-Large, Guldmann/Liko Compatible  
BASIC, 600Lb/280Kg

## SLINGS



## SLINGS



## ORDERING INFORMATION

Part Number	Description
-------------	-------------

<b>Universal Slings</b>	
-------------------------	--

<b>A Guldmann® / Liko® Compatible Slings HIGH BACK</b>	
--	--

19606	Small, Guldmann/Liko Compatible HIGH BACK, 600Lb/280Kg
19607	Medium, Guldmann/Liko Compatible HIGH BACK, 600Lb/280Kg
19608	Large, Guldmann/Liko Compatible HIGH BACK, 600Lb/280Kg
19609	X-Large, Guldmann/Liko Compatible HIGH BACK, 600Lb/280Kg

<b>B Hoyer® Compatible Slings</b>	
-----------------------------------	--

19612	Medium, Padded Hoyer Compatible Sling
19611	Large, Padded Hoyer Compatible Sling
19610	X-Large, Padded Hoyer Compatible Sling

<b>C Hoyer® Compatible Slings with Head Support</b>	
---	--

19615	Medium, Padded Hoyer w/Head Support 600Lb/280Kg SWL (best fit 270Lb-600Lb/120Kg-280Kg)
19614	Large, Padded Hoyer w/Head Support 600Lb/280Kg SWL (best fit 270Lb-600Lb/120Kg-280Kg)
19613	X-Large, Padded Hoyer w/Head Support 600Lb/280Kg SWL (best fit 264Lb-600Lb/120Kg-280Kg)

<b>Sani Slings</b>	
--------------------	--

<b>D Sani Slings Deluxe Padded (Toileting)</b>	
--	--

19564	Small, Sani padded 400Lb/180Kg (torso 26"-42" /66-107cm)
19512	Medium, Sani padded 400Lb/180Kg (torso 30"-48"/76-122cm)
19513	Large, Sani padded 400Lb/180Kg (torso 38"-60"/97-246cm)
19143	X-Large Bariatric, Sani padded 600Lb/280Kg (torso 58"-73"/147-185cm)

## ORDERING INFORMATION

## Part Number Description

## Stand Assist Slings &amp; Straps

## A Stand Assist Padded

19400 Small, Stand assist padded  
400Lb/180Kg (torso 26"-42"/66-107cm)

19515 Medium, Stand assist padded  
400Lb/180Kg (torso 29"-48"/76-122cm)

19516 Large, Stand assist padded  
400Lb/180Kg (torso 36"-60"/97-246cm)

19142 X-Large Bariatric, Stand assist padded  
600Lb/280Kg (torso 50"-79"/127-201cm)

## B SPS Single Patient Specific Stand Assist Padded

19616 Medium, SPS Disposable  
Stand assist padded 400Lb/180Kg  
(torso 29"-48"/74-122cm) (10/box)

19617 Large, SPS Disposable  
Stand assist padded 400Lb/180Kg  
(torso 36"-60"/91-152cm) (10/box)

## C Buttocks Support Strap

19517 Standard, Buttocks support strap  
for stand assist 400Lb/180Kg

19594 X-Large Bariatric, Buttocks support strap  
for stand assist 600Lb/280Kg

## D Stand Assist Knee Strap Brace

10618 Stand Assist Knee Strap Brace  
fits 400Lb/180Kg and 600Lb/280Kg  
stand assist models

## SLINGS

A



B



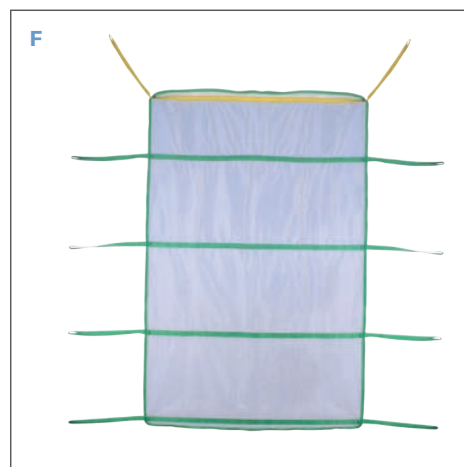
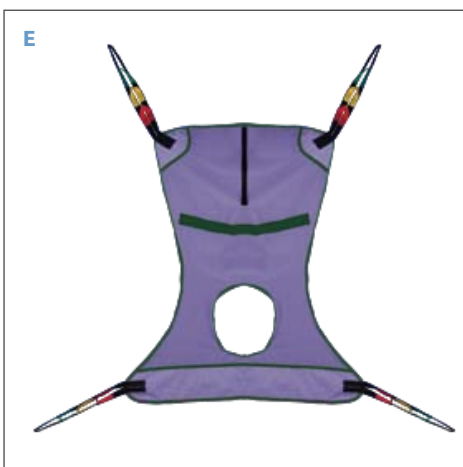
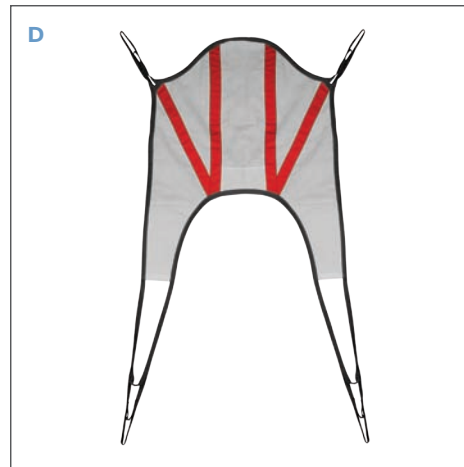
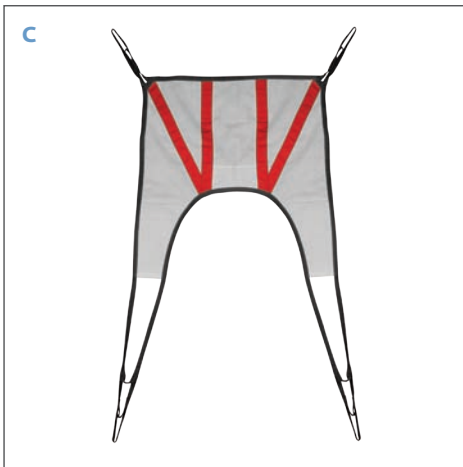
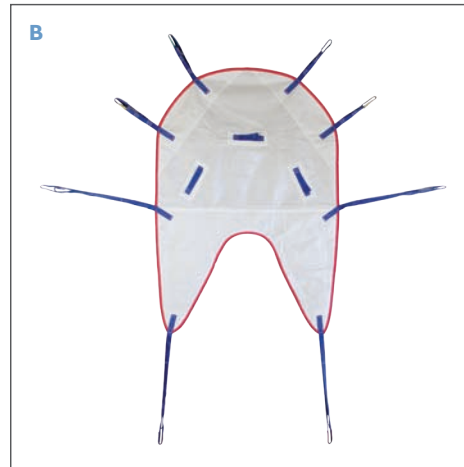
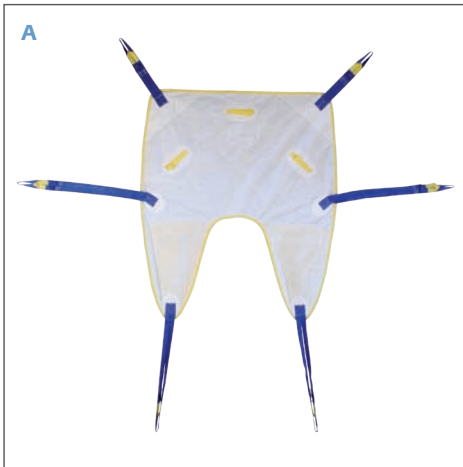
C



D



## SLINGS



## ORDERING INFORMATION

## Part Number Description

## Single Patient Specific (SPS) Slings

## A Universal SPS Single Patient Specific without Head Support

19619	Medium, SPS Universal 600Lb/280Kg safe working load (Packed 10/box)
19620	Large, SPS Universal 600Lb/280Kg safe working load (Packed 10/box)

## B Universal SPS Single Patient Specific with Head Support

19621	Small, SPS Universal 600Lb/280Kg (Packed 10/box)
19622	Medium, SPS Universal 600Lb/280Kg (Packed 10/box)
19623	Large, SPS Universal 600Lb/280Kg (Packed 10/box)
19624	XX-Large, SPS Universal 600Lb/280Kg (Packed 10/box)

## C Guldmann® / Liko® Compatible SPS Single Patient Specific BASIC

19625	Small, SPS Guldmann/Liko Compatible BASIC, 600Lb/280Kg, 10/box
19626	Medium, SPS Guldmann/Liko Compatible BASIC, 600Lb/280Kg, 10/box
19627	Large, SPS Guldmann/Liko Compatible BASIC, 600Lb/280Kg, 10/box
19628	X-Large, SPS Guldmann/Liko Compatible BASIC, 600Lb/280Kg, 10/box

## D Guldmann® / Liko® Compatible SPS Single Patient Specific HIGH BACK

19630	Small, SPS Guldmann/Liko Compatible HIGH BACK, 600Lb/280Kg, 10/box
19631	Medium, SPS Guldmann/Liko Compatible HIGH BACK, 600Lb/280Kg, 10/box
19632	Large, SPS Guldmann/Liko Compatible HIGH BACK, 600Lb/280Kg, 10/box
19633	X-Large, SPS Guldmann/Liko Compatible HIGH BACK, 600Lb/280Kg, 10/box

## E Invacare® Compatible SPS Single Patient Specific with Commode Opening

19634	Medium, Special Woven full body 600Lb/280Kg with commode opening (best fit 100-195lbs/45-89Kg)
19635	Large, Special Woven body 600Lb/280Kg with commode opening (best fit 150-300lbs/68-136Kg)
19636	X-Large, Special Woven full body 600Lb/280Kg with commode opening (best fit 210-400Lb/95-180Kg)
19637	XX-Large Bariatric, Special Woven full body 600Lb/280Kg with commode opening (best fit 290-600Lb/132-280Kg)

## F Repositioning Sheet Single Patient (Disposable)

19638	Repositioning Sheet for Single Patient Use 1000Lb SWL (10 Per Case)
-------	---

## ORDERING INFORMATION

## Part Number Description

**A Transfer Sheet**

19589	Small Transfer Sheet 28.5" x 27.5" (72cm x 70cm)
19590	Medium Transfer Sheet 42.5" x 31.5" (108cm x 80cm)
19591	Large Transfer Sheet 53" x 39.5" (135cm x 100cm)

**B Transfer Quilted**

19643	Small, Transfer Quilted 23.5" x 23.5" (60cm x 60cm)
19644	Medium, Transfer Quilted 23.5" x 55" (60cm x 140cm)
19645	Large, Transfer Quilted 23.5" x 75" (60cm x 190cm)

**C Transfer Booster**

19640	Medium Transfer Booster 29" x 46" (74cm x 117cm)
19641	Bariatric Transfer Booster 46" x 46" (117cm x 117cm)

**D Transfer Sheet Disposable**

19642	Transfer Sheet Standard 28" x 27.5" (71cm x 70cm) 50/Box
-------	---

## TRANSFER AND REPOSITIONING



## FEATURES

**A Transfer Sheet**

Continuous nylon loop fabric with treated inner surface to reduce friction. Glides easily in all directions and significantly reduces force required by caregiver to reposition a patient.

**B Transfer Quilted**

Continuous nylon loop fabric with treated inner surface to reduce friction. Glides easily in all directions and significantly reduces force required by caregiver to reposition a patient. Padded for increased patient comfort with same functionality as the transfer sheets.

**C Transfer Booster**

Continuous nylon loop fabric with treated inner surface to reduce friction. Glides easily in up / down direction and significantly reduces force required by caregivers to reposition a patient. Sewn nylon grip handles along both edges assist caregivers.

**D Transfer Sheet Disposable**

Disposable sheets have many advantages when it comes to laundry costs and is a great alternative in terms of infectious diseases control. (50/BOX)

## TRANSFER AND REPOSITIONING



### FEATURES

#### A HandiBelt

Safe lifting belt with non slip inner surface and easy to grip handles. Secure buckling system with quick sizing adjustments. May be worn by patient or caregiver to assist in standing and pivot functions. Superior comfort and leverage versus traditional gait belts.

#### B HandiMove

Open ended belt with two comfort handles and inner non slip surface. One or two caregivers can apply this by itself or as an aid to sheets/quilts and Handi Lift. Nylon covered with strong poly handles. Inner non slip material covers a foam base.

#### C HandiSlide

Single caregiver aid for quick repositioning. Maybe used alone or in conjunction with other aids. Bottom surface is low friction while top surface is non slip to adhere to clothing. Strong nylon handle with foam interior.

#### D HandiLift

Mini stretcher for lifting from the floor, lateral transfer or repositioning in bed. Bottom surface is low friction to allow for easy gliding. Four strong comfortable handles allow for use by one to four caregivers as required.

### ORDERING INFORMATION

Part Number	Description
<b>A HandiBelt</b>	
19656	Medium HandiBelt, 5" x 40" (13cm x 102cm) adjusts 29"-45" (74cm - 114cm)
19657	Large HandiBelt, 5" x 40" (13cm x 102cm) adjusts 35" x 55" (89cm x 140cm)
<b>B HandiMove</b>	
19648	HandiMove 9" x 45.5" (13cm x 115cm)
<b>C HandiSlide</b>	
19646	HandiSlide 9" x 45.5" (13cm x 115cm)
<b>D HandiLift</b>	
19647	HandiLift 16.5" x 39.5" (42cm x 100cm)

## ORDERING INFORMATION

## Part Number Description

**A StandTurn**

19659 StandTurn 16" (41cm) Diameter

**B SitTurn**

19658 SitTurn 16" (41cm) Diameter

**C Non-Slip Oneway Glide Seating Cushions**

19650 Small Non-Slip 17" x 14.5" (43cm x 37cm)

19651 Medium Non-Slip 18" x 18" (45cm x 45cm)  
(best for wheelchairs)

19652 Large Non-Slip 31.5" x 23.5" (80cm x 60cm)

**D Velour Oneway Glide Seating Cushions**

19653 Small Velour 17" x 14.5" (43cm x 37cm)

19654 Medium Velour 18" x 18" (45cm x 45cm)  
(best for wheelchairs)

19655 Large, Velour 31.5" x 23.5" (80cm x 60cm)

## TRANSFER AND REPOSITIONING

**A StandTurn**

Two black non slip outer surfaces with slipper inner surfaces. Will easily rotate in all directions when weight applied. User stands in the center and turn in any direction with or without assistance. Designed to be used on beside beds, chairs or outside of cars.

**B SitTurn**

Round double sided disk that spins easily in all directions. Slippery inner surfaces make pivot movements a breeze for people with difficulty turning themselves. Idea for use with chairs, beds and car seats.

**C-D Oneway Glide Seating Cushion**

Unique inner surface of these continuous loops allows cushion to glide in only one direction and resist sliding back. Once placed in position the cushion will not move forward toward front of chair. Promotes proper posture and maximizes comfort. Velour or non slip surface with directional arrows for ease of use. Always place arrows facing toward the back of the chair.





**DJO, LLC | A DJO Global Company**

**T** 800.592.7329   **D** 760.727.1280   **F** 800.936.6569  
1430 Decision Street | Vista, CA 92081-8553 | U.S.A.  
[DJOglobal.com/chattanooga](http://DJOglobal.com/chattanooga)

*Together in Motion™*