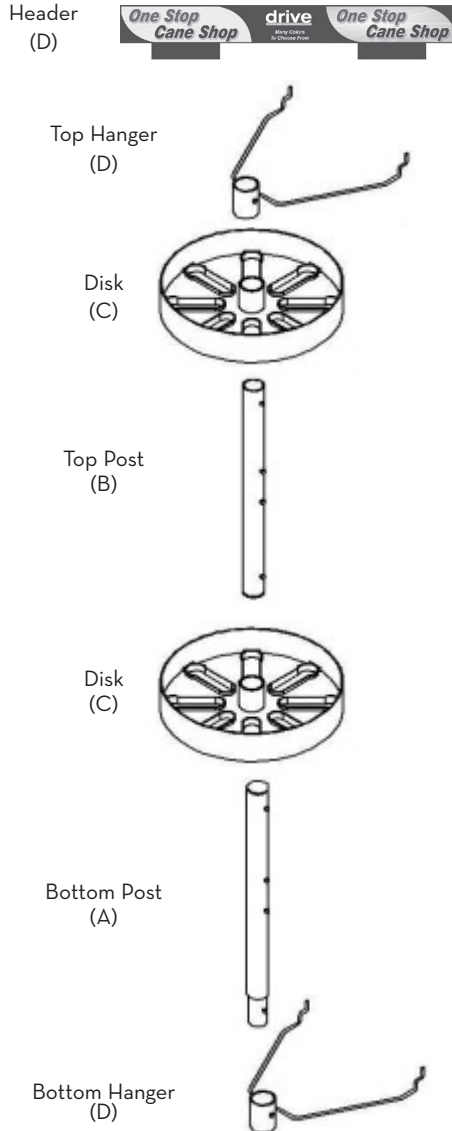


parts list



lifetime limited warranty

Your Drive brand product is warranted to be free of defects in materials and workmanship for the lifetime of the original consumer purchaser.

This device was built to exacting standards and carefully inspected prior to shipment. This Lifetime Limited Warranty is an expression of our confidence in the materials and workmanship of our products and our assurance to the consumer of years of dependable service.

This warranty does not cover device failure due to owner misuse or negligence, or normal wear and tear. The warranty does not extend to non-durable components, such as rubber accessories, casters, and grips, which are subject to normal wear and need periodic replacement.

If you have a question about your Drive device or this warranty, please contact an authorized Drive dealer.

drive
WWW.DRIVEMEDICAL.COM

© 2006 Medical Depot, Inc. All rights reserved.
Drive is a trademark of Medical Depot, Inc.
Port Washington N.Y. 11050 USA Made in USA

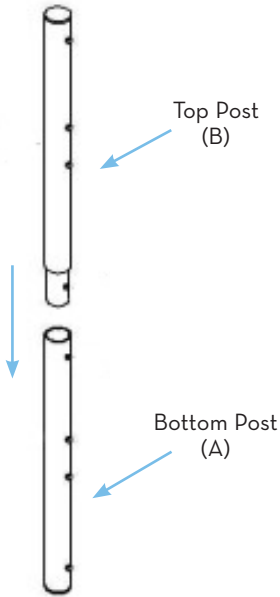
rotating cane
rack

drive
WWW.DRIVEMEDICAL.COM

assembly instructions

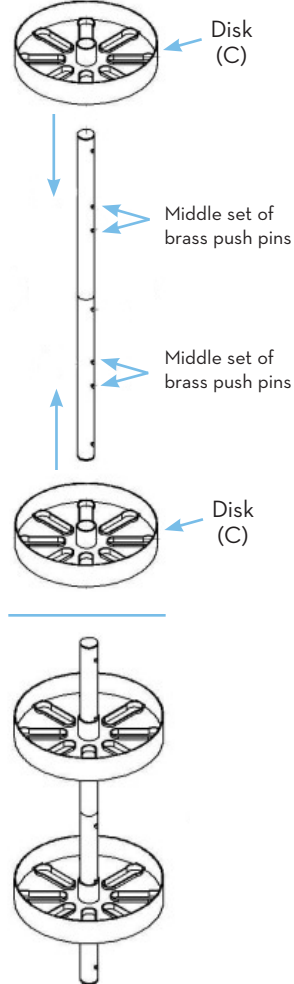
Step 1

1. Remove contents from carton.
2. Slide top post (B) (side with recessed appendage) into bottom post (A). When brass push pins pop through bottom post, it is secure.



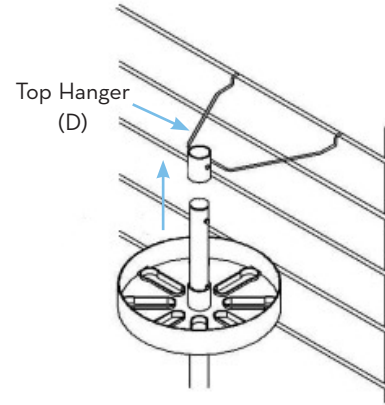
Step 2

3. Slide disk (C) over top post (B) and rest it in between the middle of the set of brass push pins. Repeat for second disk, sliding it from the bottom of post (A) upward until secure between the two push pins.

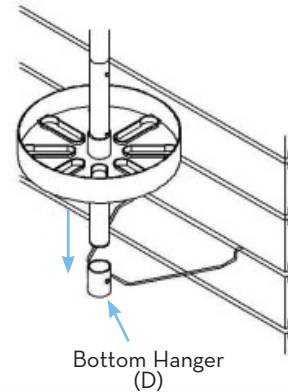


Step 3

4. Inset top cane rack hanger (D) into wall. Slide top of post (B) into receptacle. When both brass push pins pop through it is secure.

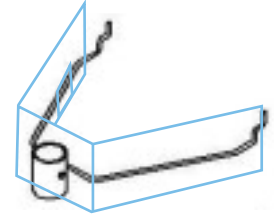


5. Inset bottom cane rack hanger (D) into wall. Slide bottom of post (A) into receptacle. When both brass push pins pop through it is secure.



Step 4

4. To attach header, place header in front of top receptacle. Remove sticker backers and fasten around wire frame.



assembled cane rack

